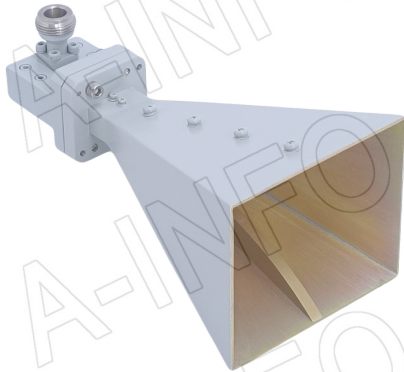


For reference only. See data sheet for the detailed specifications.

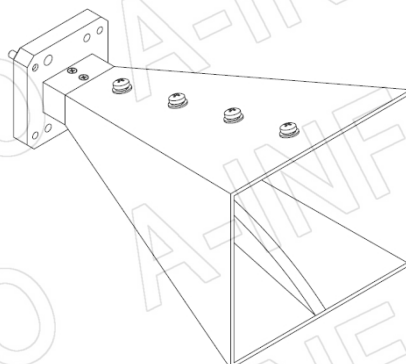
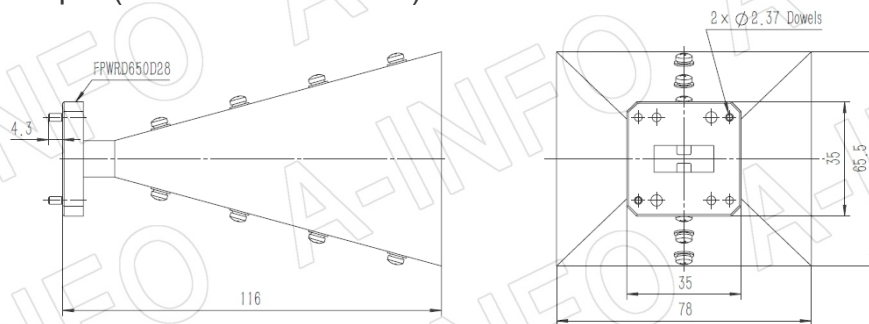
## Technical Specification



Frequency Range(GHz)	6.5 – 18.0	
Gain(dBi)	15 Typ.	
Polarization	Linear	
3dB Beamwidth(deg)	E Plane:	33 - 19
	H Plane:	40 - 16
Cross Pol. Isolation(dB)	30 Typ.	
VSWR	1.5:1 Typ.	
Output	A Type:	FPWRD650D28
	C Type:	N-Female or SMA-Female or High Power N-Female
Power Handling(W CW)	N-F:	150 Max.
	SMA-F:	50 Max.
	HP N-F:	500 Max.
Material	Al	
Finish	Passivation and Chemical Conversion Coating, Gray Paint	
Size(mm)	A Type:	78 x 65.5 x 116
	C Type:	78 x 65.9 x 152
Net Weight(Kg)	A Type:	0.11 Around
	C Type:	0.28 Around

## Outline Drawing (Size: mm)

FPWRD650D28 Output (P/N: LB-65180-15-A)



**AINFO Inc.**

China(Beijing): Tel: (+86) 10-6266-7326,  
China(Chengdu): Tel: (+86) 28-8519-2786,  
USA : Tel: (+1) 949-639-9688,

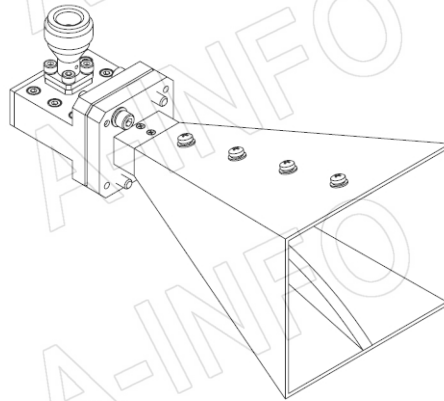
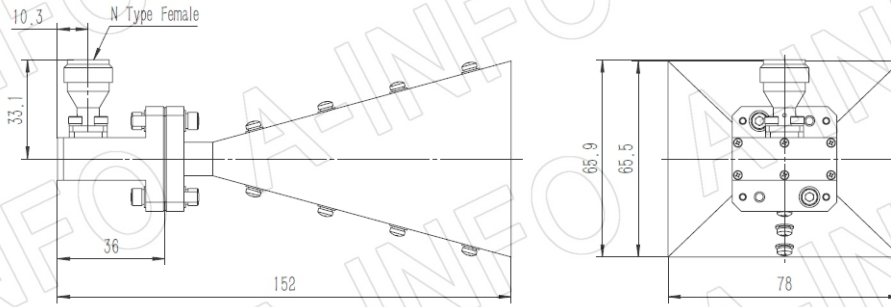
Page 1 of 12

(+86) 10-6266-7327 Fax: (+86) 10-6266-7379  
(+86) 28-8519-3044 Fax: (+86) 28-8519-3068  
(+1) 949-639-9608 Fax: (+1) 949-639-9670

Website: [www.ainfoinc.com](http://www.ainfoinc.com)  
Email: [sales@ainfoinc.com](mailto:sales@ainfoinc.com)

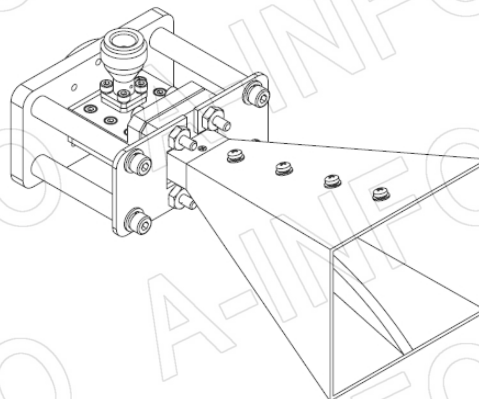
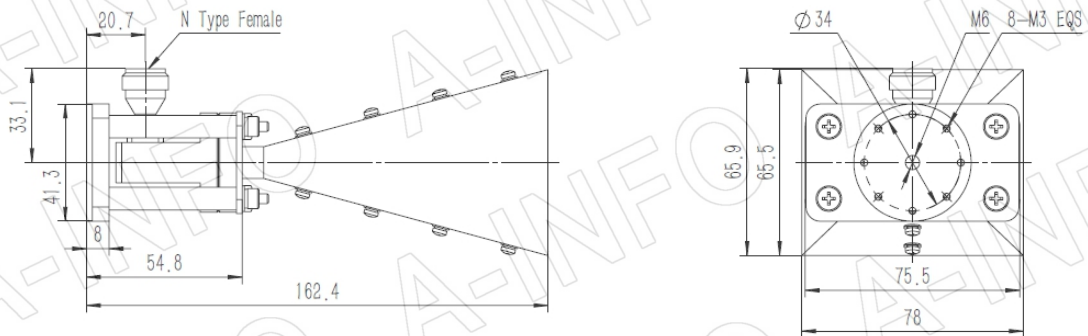
## N-Female Output (P/N: LB-65180-15-C-NF)

For SMA-Female or High Power N-Female output outline drawing, please contact A-INFO.



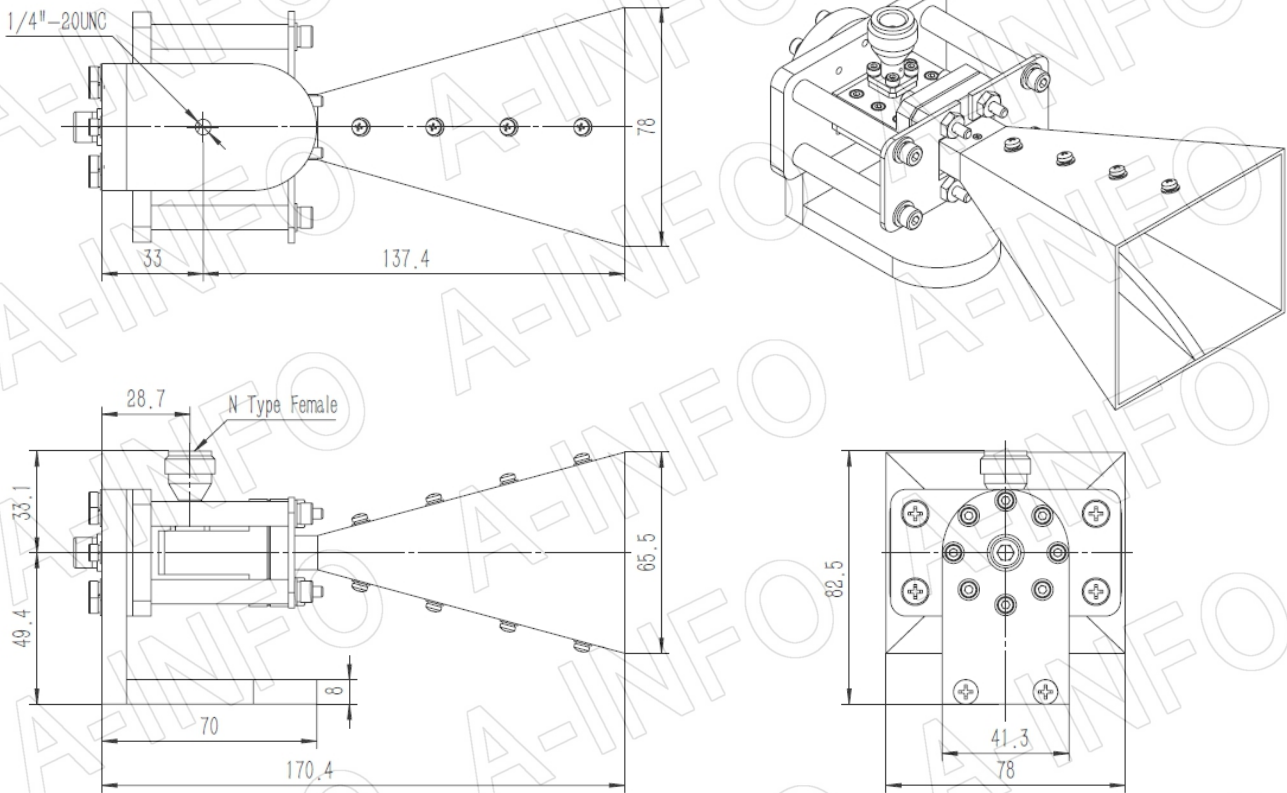
## N-Female Output with Round Mounting Bracket (Option, P/N: LB-65180-10-C-MB)

For SMA-Female or High Power N-Female output outline drawing, please contact A-INFO.

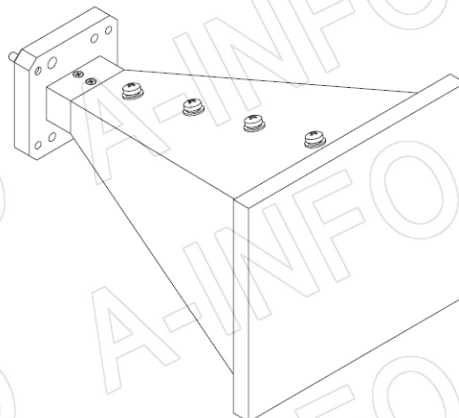
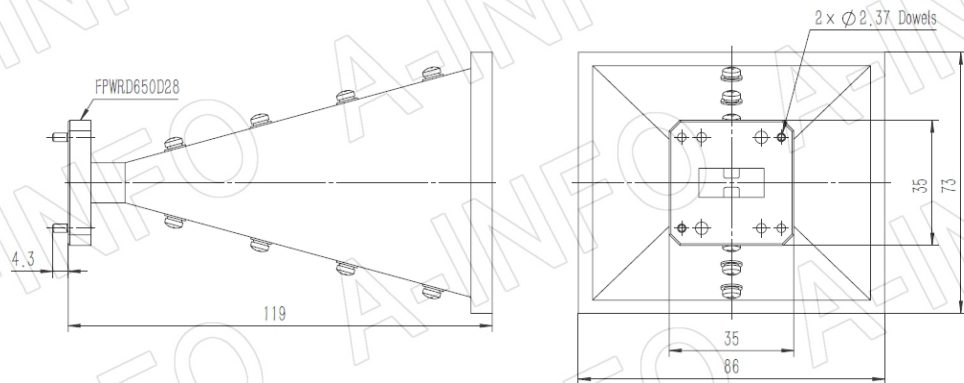


**N-Female Output with L Type Mounting Bracket (Option, P/N: LB-65180-10-C-MBL)**

For SMA-Female or High Power N-Female output outline drawing, please contact A-INFO.

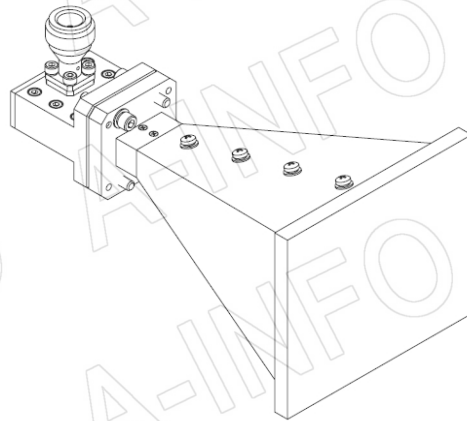
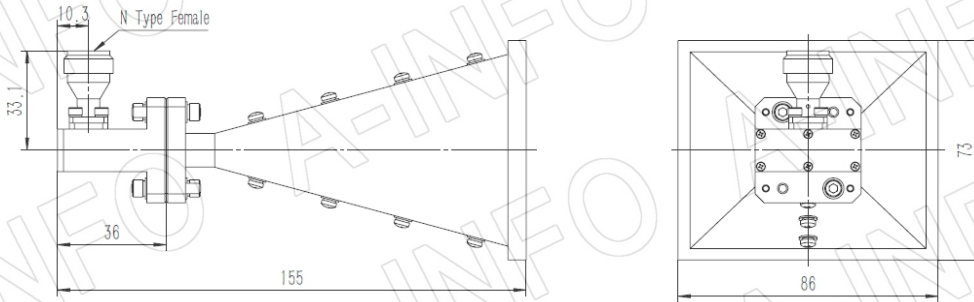


**FPWRD650D28 Output with Radome (Option, P/N: LB-65180-15-ASPO, Application Outdoor)**



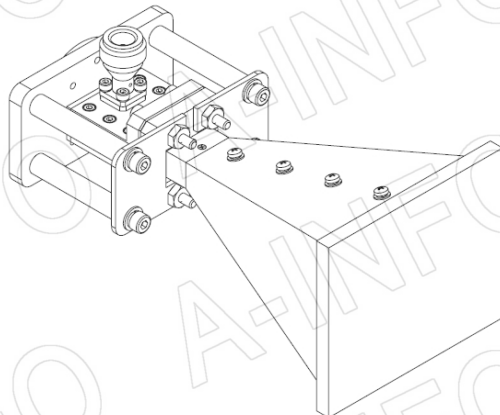
**N-Female Output with Radome (Option, P/N: LB-65180-15-C-NFSP0, Application Outdoor)**

For SMA-Female or High Power N-Female output outline drawing, please contact A-INFO.



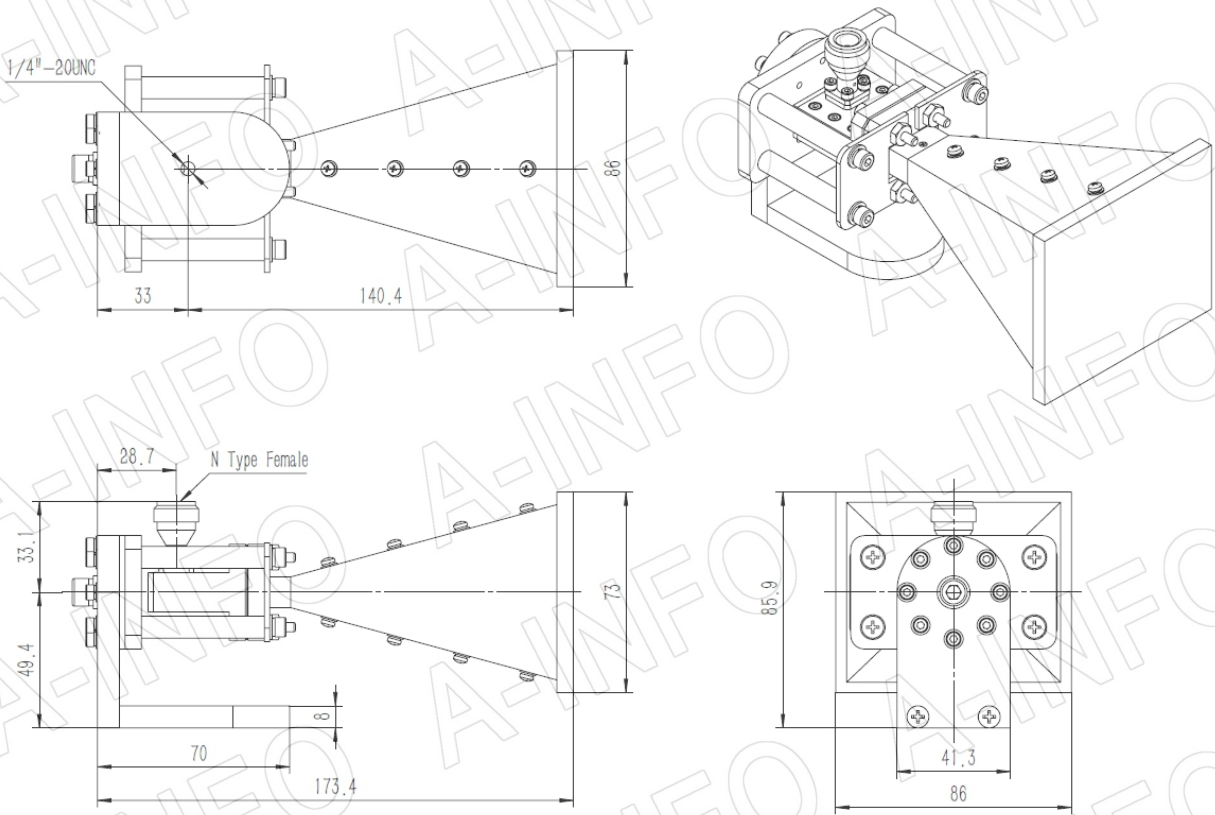
**N-Female Output with Round Mounting Bracket & Radome (Option, P/N: LB-65180-10-C-MB & LB-65180-15-C-NFSP0, Application Outdoor)**

For SMA-Female or High Power N-Female output outline drawing, please contact A-INFO.



**N-Female Output with L Type Mounting Bracket & Radome (Option, P/N: LB-65180-10-C-MBL & LB-65180-15-C-NFSP0, Application Outdoor)**

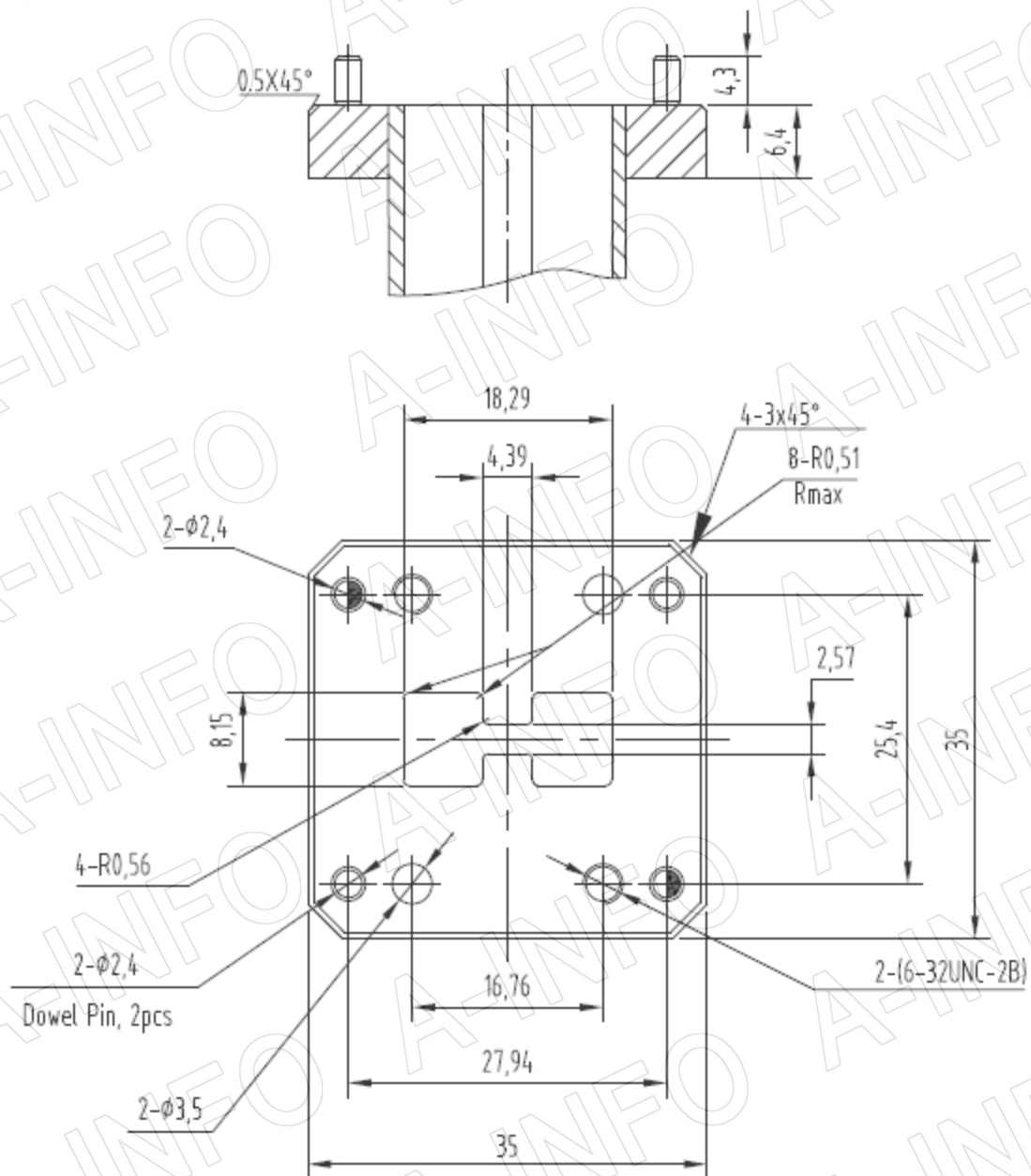
For SMA-Female or High Power N-Female output outline drawing, please contact A-INFO.



## Flange Drawing (Size: mm)

### FPWRD650D28

(With two through mounting holes and two screws holes)



#### AINFO Inc.

China(Beijing): Tel: (+86) 10-6266-7326,  
 China(Chengdu): Tel: (+86) 28-8519-2786,  
 USA : Tel: (+1) 949-639-9688,

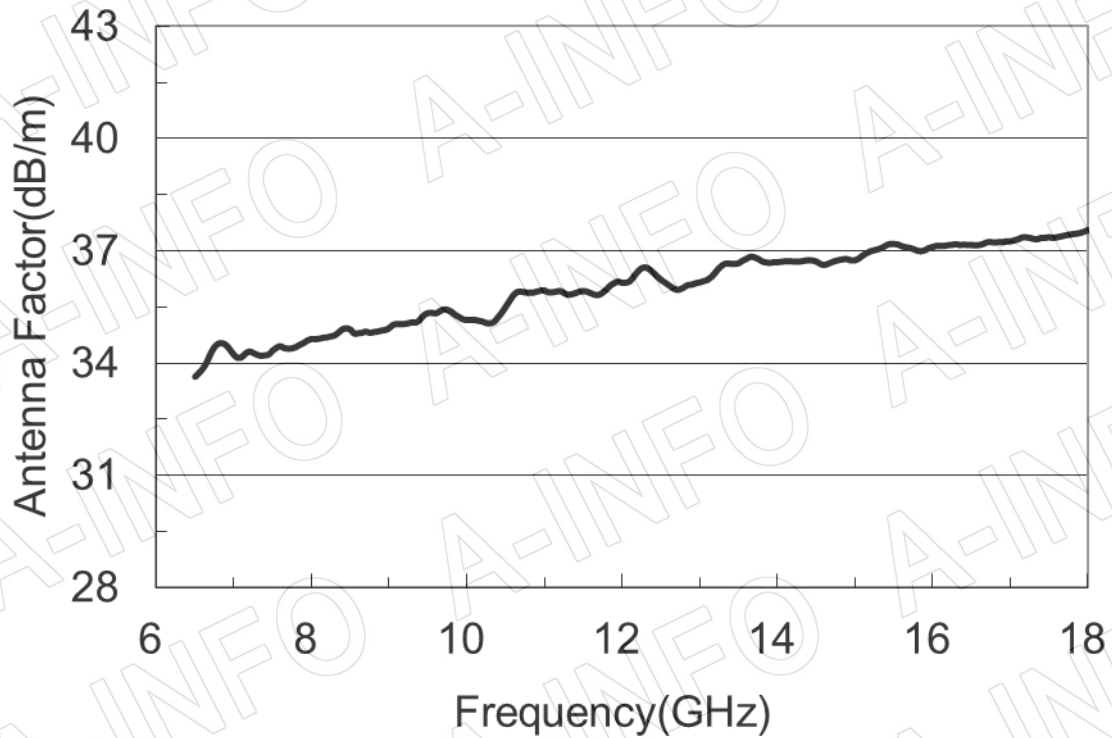
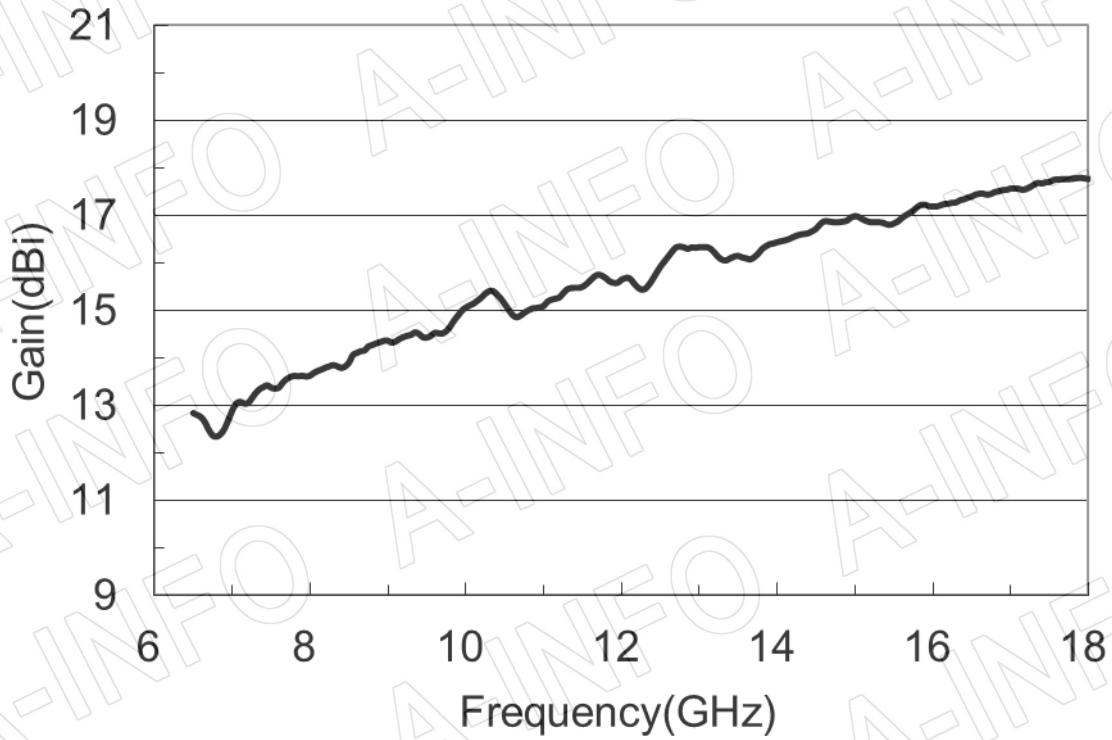
Page 6 of 12

(+86) 10-6266-7327 Fax: (+86) 10-6266-7379  
 (+86) 28-8519-3044 Fax: (+86) 28-8519-3068  
 (+1) 949-639-9608 Fax: (+1) 949-639-9670

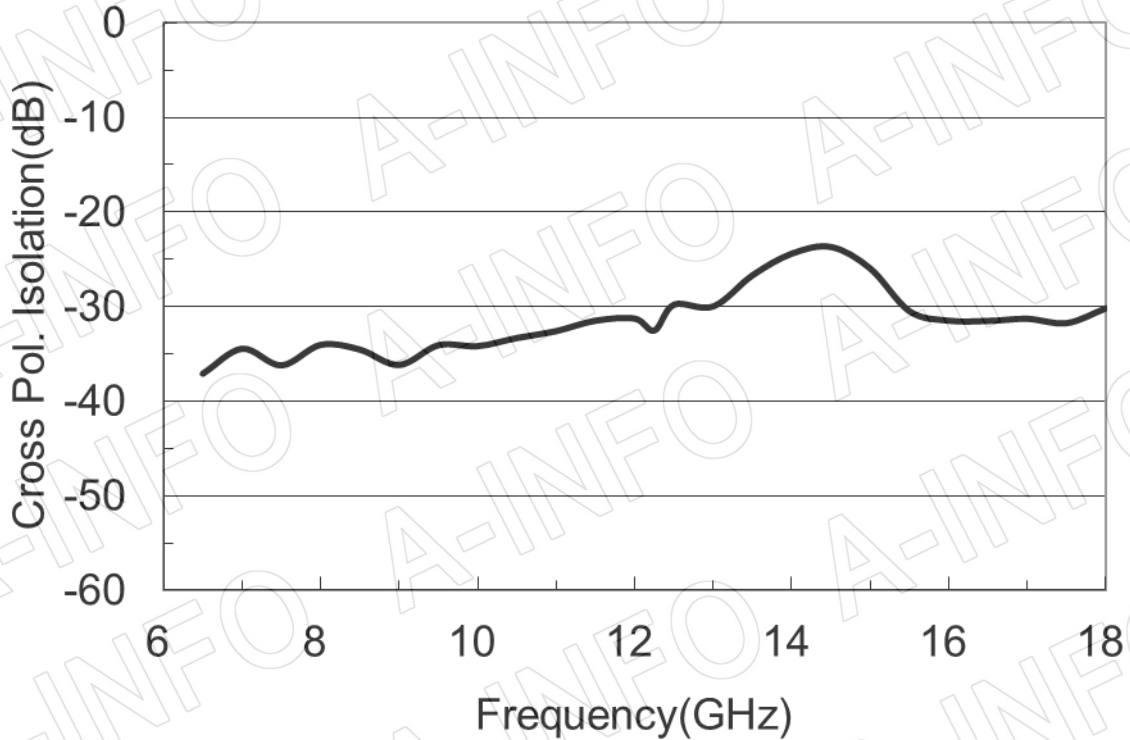
Website: [www.ainfoinc.com](http://www.ainfoinc.com)  
 Email: [sales@ainfoinc.com](mailto:sales@ainfoinc.com)

## Test Results

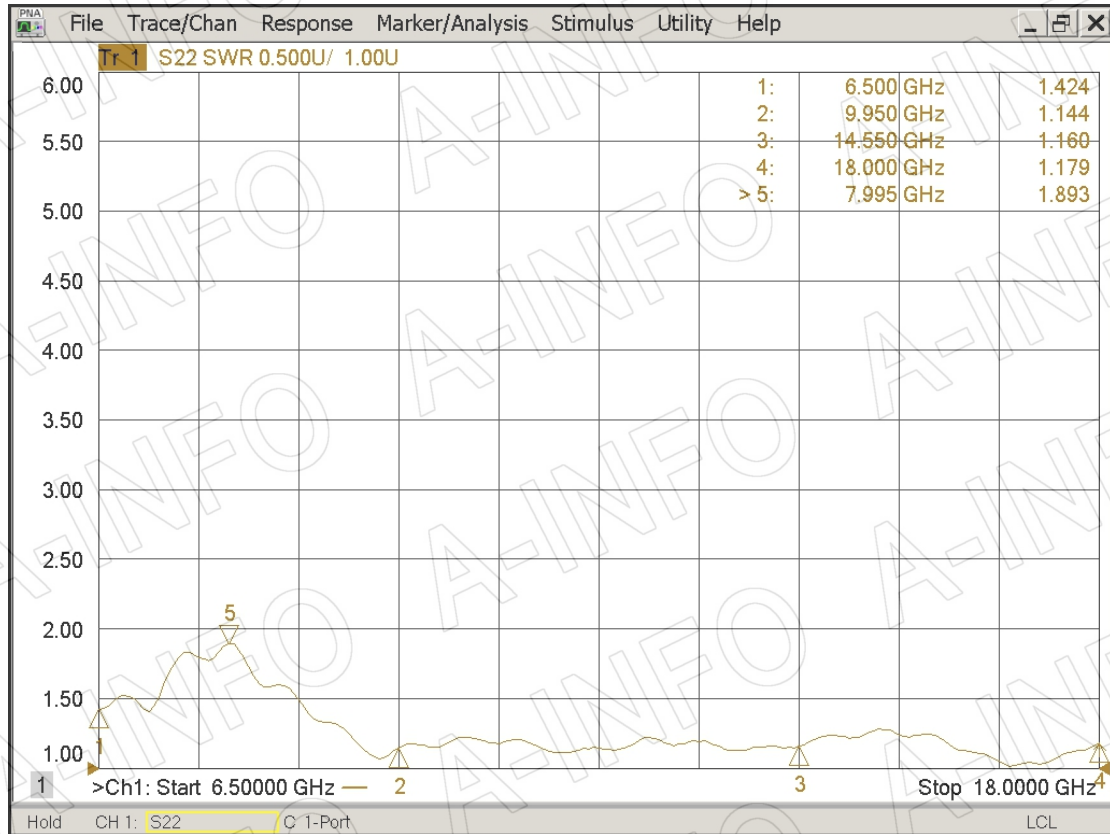
### 1. Gain & Antenna Factor



## 2. Cross Polarization Isolation



## 3. VSWR





## 4. Pattern

